

# 38M

## JXLZ 38-4.16



### GENERAL

PIPE SIZE (ID)	125 mm (5")
BOOM CONTROL VALVE	Proportional (by HAWE)
RADIO REMOTE	Dual Wireless Transmitter System
VIBRATOR	Standard
WATER PUMP	Hydraulic Power 20 bar (290 psi)
WATER TANK	800 L (211 G)
WEAR PARTS	Carbide
POPULAR UPGRADES†	<ul style="list-style-type: none"> <li>• LED Boom Light Kit</li> <li>• LED Outrigger Lights</li> <li>• Heated Water Tank</li> <li>• Heated Hydraulic Tank</li> <li>• Air-Cuff</li> <li>• Twin Wall Pipe</li> <li>• 20 Cell Pump Kit</li> <li>• 18 Cell Pump Kit</li> </ul>

### BOOM

NUMBER OF BOOMS	4 Sections
FOLDING TYPE	Z Fold
VERTICAL HEIGHT	37.1m (121'9")
HORIZONTAL REACH	33.1m (108'7")
UNFOLDING HEIGHT	8.9m (29'2")
1ST SECTION	7.85m (25'9")
2ND SECTION	7.94m (26'1")
3RD SECTION	8.33m (27'4")
4TH SECTION	12.0m (39'4")
OUTRIGGER	X-Style
FRONT SPREAD	6.3m (20'8")
REAR SPREAD	7.0m (23')
OUTRIGGER MAX LOAD:	16,828 kg   37,100 lb

### PUMP

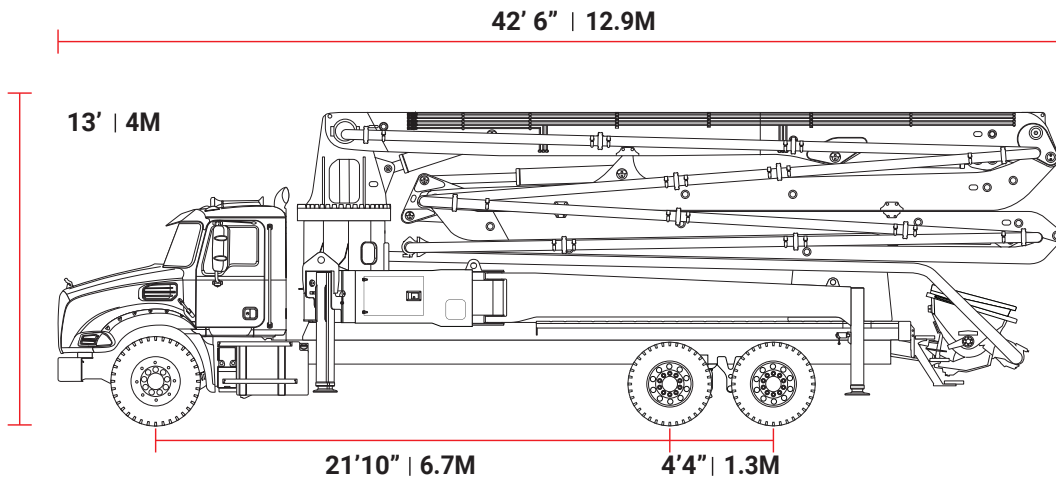
OUTPUT:	Rod Side	164 m³/h (215 yd³/h)
	Piston Side	102 m³/h (133 yd³/h)
PRESSURE:	Rod Side	72 Bar (1044 psi)
	Piston Side	115‡ bar (1668 psi)
CONCRETE CYLINDER DIAMETER	230 mm (9")	
CONCRETE CYLINDER TYPE	Hard Chromed	
STROKE LENGTH	2100 mm (83")	
S-TUBE SIZE	9" x 7"	
MAIN OIL PUMP	Rexroth hydromatic A11VL0260	
HYDRAULIC SYSTEM PRESSURE	350 bar (5076 psi)	
LUBE SYSTEM (HOPPER)	Automatic	
SWITCHING SYSTEM	Hydraulic	
HOPPER CAPACITY	Easy Clean 600 L (158 G)	
NUMBER OF STROKES/MIN	31	
OUTPUT CONTROL RANGE	10(13)~164m³/h (215yd³/h)	

†More options available, ask your sales rep for details.

‡Not to be used through boom pipe

Alliance Concrete Pumps Inc. reserves the right to make changes to all specifications

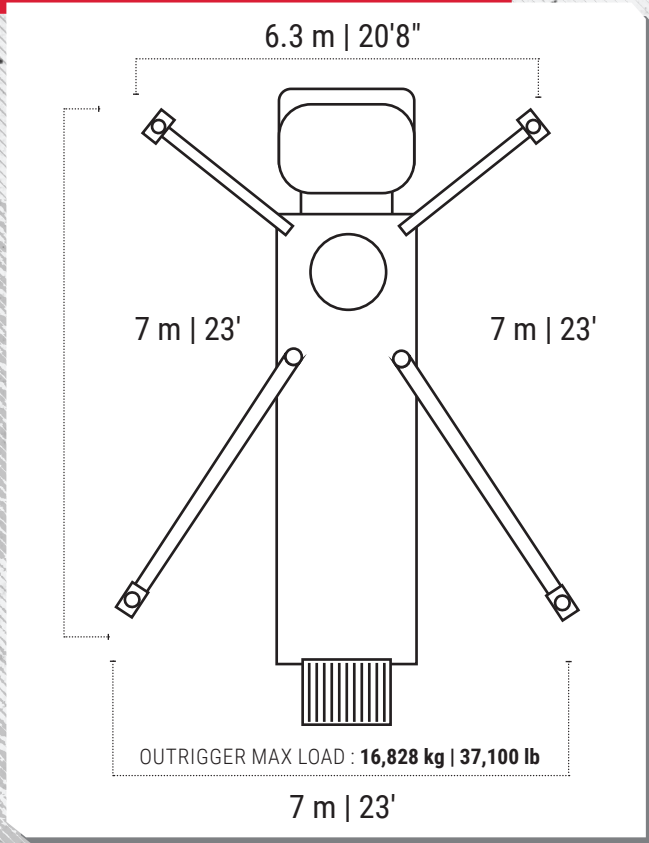
# CONVENTIONAL



## CONVENTIONAL

FRONT AXLE	REAR AXLE	OVERALL LENGTH	TOTAL WEIGHT
18,300 LB   8,300 KG	38,200 LB   17,327 KG	42'6"   12.9 M	55,600 LB   25,219 KG

## OUTRIGGER EXTENSION



## BOOM PUMP REACH

